

S.E.I. ELECTRIC



TECHNICAL DATA SHEET



NAME: LED Garden Light

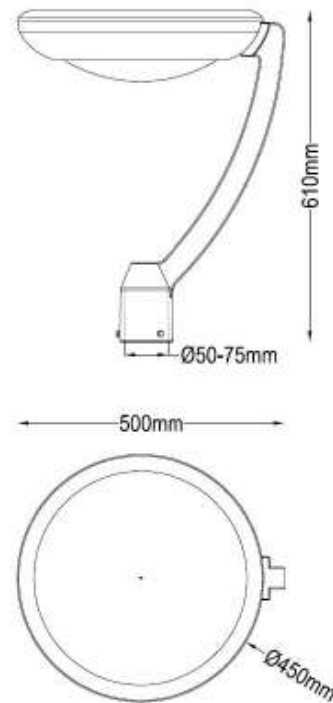
P/N : SNC-GS-75WFA1

Advantage:

- UL cUL DLC certificate
- China brand IP65 driver, Input voltage 100-277Vac
- No UV or IR in the beam
- Easy to install and operate
- Energy saving, long lifespan
- Light is soft and uniform, Safe to eyes
- Instant start, NO flickering, NO humming
- Green and eco-friendly without mercury.

Application:

- ◆ City Slow Lane, Narrow Lane,
- ◆ Residential Area, Plaza,
- ◆ Sightseeing Area, Village Road and so on.



S.E.I. ELECTRIC

Product Specifications

Product name	LED Garden Light
Part No	SNC-GS-75WFA1
Dimension	500 x 450 x 610 mm

Technical Characteristic

Color temperature	3000K	3500K	4000K	4500K	5000K	5700K
CRI	>80					
Lumen	7200 - 7700LM					
Input Power	75W					
Viewing Angle	120°					
Input Voltage	100-277Vac 50/60Hz					
Driver model	China Brand Driver					
PFC	>0.9					
Waterproof Rating	WET (IP65)					

Materials

LED Type	2835 (0.5W)
LED QTY	270 PCS
Housing	Aluminum
Housing color	Brown
Cover	PC

Others

Operating Temperature	-20℃ TO 45℃
Operating Humidity	20%-90% RH
Storage Temperature	-30℃ TO 80℃
Storage Humidity	10%-95%
Application	Outdoor
Safety Certification	UL, cUL, DLC
Warranty Time	5 Years

S.E.I. ELECTRIC

Light Distribution Testing Parameters

DATA OF LAMP		PHOTOMETRIC DATA			
MODEL		Imax (cd)	2287	S/MH (C0/180)	1.54
NOMINAL POWER (W)	75	LOR (%)	100.0	S/MH (C90/270)	1.53
RATED VOLTAGE (V)	120	TOTAL FLUX (lm)	7304.0	η UP, DN (C0-180)	0.8, 48.7
NOMINAL FLUX (lm)	7303.95	CIE CLASS	DIRECT	η UP, DN (C180-360)	0.8, 49.6
LAMPS INSIDE	1	η up (%)	1.7	CIBSE SHR NOM	1.50
TEST VOLTAGE (V)	120.0	η down (%)	98.3	CIBSE SHR MAX	1.55

